



The product shown may differ from standard configuration.

PRIMO® XL

Comfort Seat with Low-Frequency
Pneumatic Suspension



PRIMO® XL

Technical data

Comfort seat

Operable on a 12 V or 24 V power source, this seat's low-frequency suspension ensures good comfort. It can be easily set to the driver's weight (between 45 and 170 kg) simply by pressing a button. The seattop with integrated backrest extension and lumbar support can be adjusted to your needs. The Primo XL is equipped with an operator presence switch as well as a duosensitive ELR-belt system as standard.



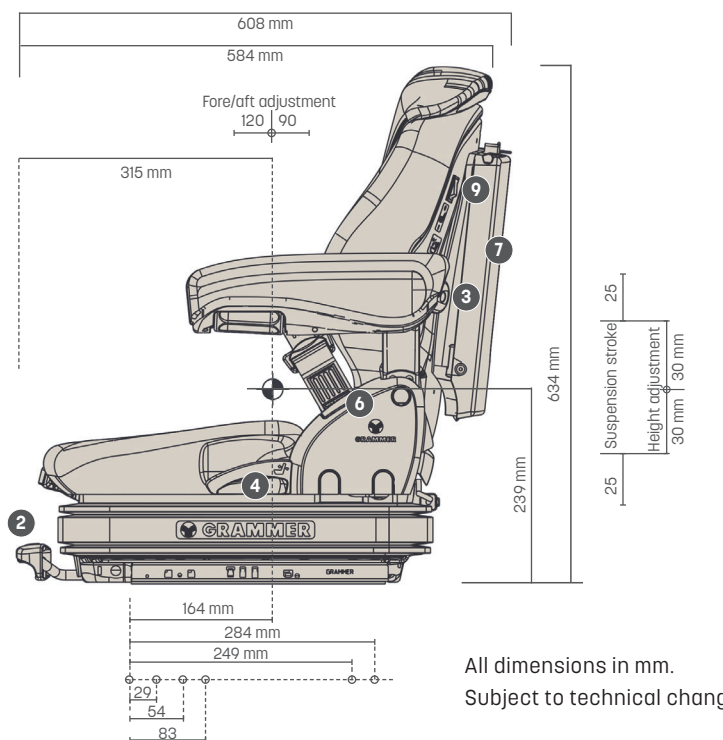
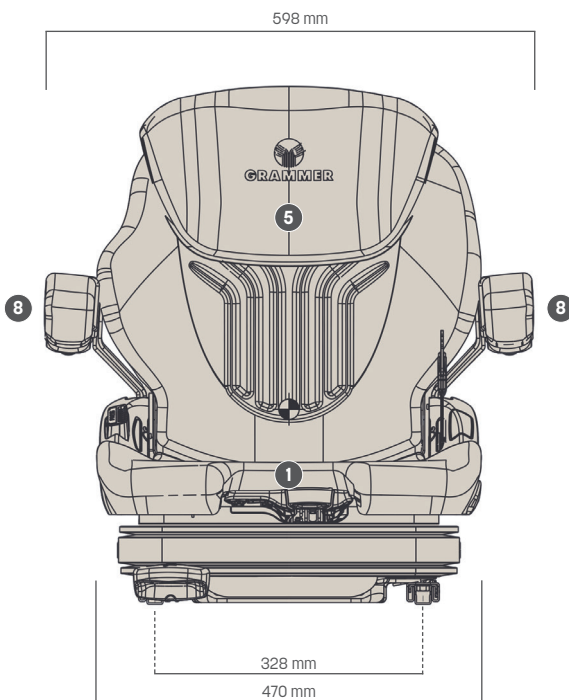
Features

| | PRIMO® XL |
|--|-----------|
| ARTICLE NO. | |
| Fabric, compressor 12V | 1293489 |
| Fabric, compressor 24V | 1293478 |
| STANDARD FEATURES | |
| Shock absorber, nonadjustable | ● |
| Air suspension | ● |
| Low-frequency suspension | ● |
| Suspension stroke, 50 mm | ● |
| 1 Weight adjustment, pneumatic, 45-170 kg | ● |
| Height adjustment, 60 mm | ● |
| 2 Fore/aft adjustment, 210 mm | ● |
| 3 Lumbar support, mechanical | ● |

| | PRIMO® XL |
|--|-----------|
| 4 Adjustable backrest angle | ● |
| 5 Backrest extension, duosensitive | ● |
| 6 ELR-belt system, duosensitive | |
| Seat cushion width | 470 mm |
| Operator presence switch (OPS) | ● |
| OPTIONAL FEATURES | |
| 7 Document box | ○ |
| 8 Armrests, height adjustable, 60 mm x 320 mm | ○ |
| Fore/aft isolator* | ○ |
| 9 Seat heating | ○ |

* Fore/aft isolator not for earth-moving machinery

Measurements (installation dimensions)



All dimensions in mm.
Subject to technical changes.