



Vehicle controls not included.
The product shown may differ from
standard configuration.

ACTIMO[®] M WITH CONTROL CARRIERS

Standard Seat with Mechanical Suspension



ACTIMO[®] M WITH CONTROL CARRIERS

Technical data

Standard seat

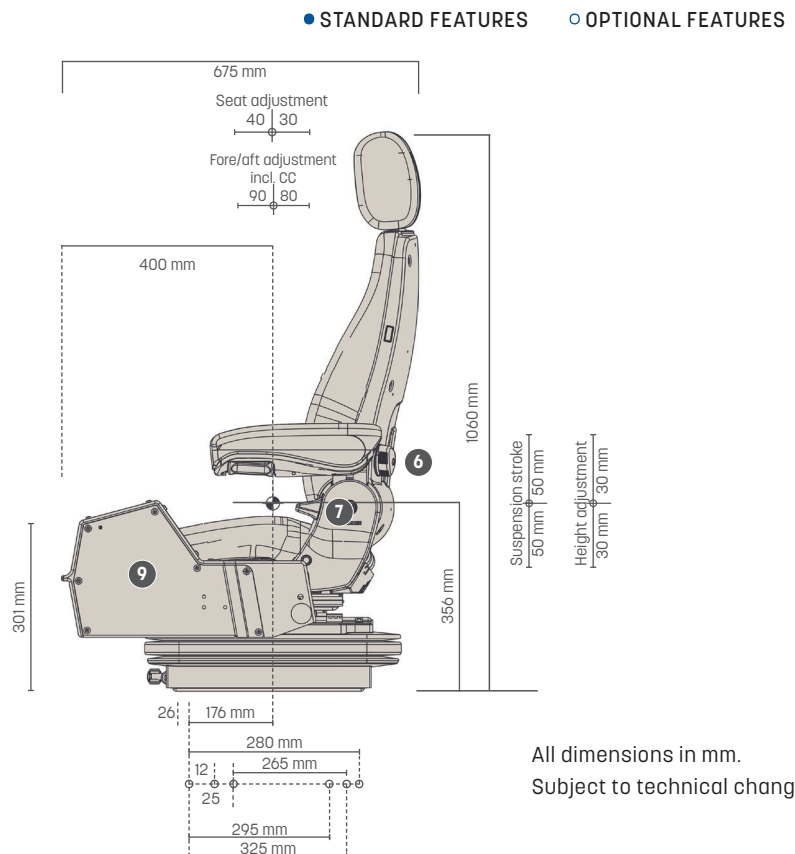
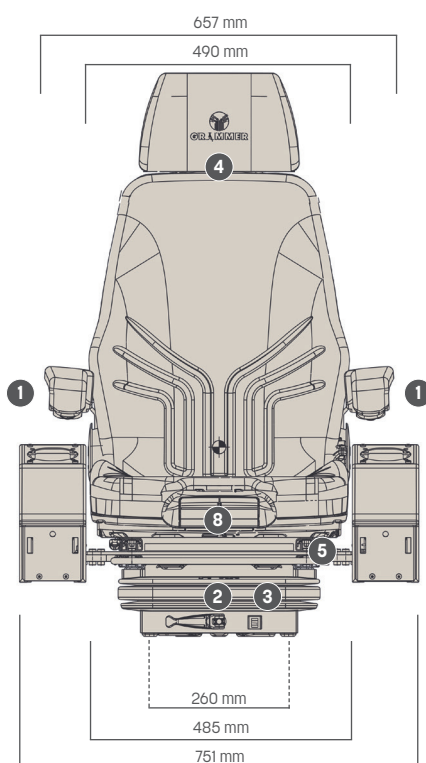
The seat is easy to set to the user's weight using a crank at the front. This is essential for optimizing the mechanical suspension's response to vibrations. Additionally the seat's height can be set to any of three positions over 60 mm depending on the operator's size and the kind of work being done. This seat is equipped with control carrier consoles for an easy installation of joysticks.



Features

	ACTIMO [®] M CC	ACTIMO [®] M CC
ARTICLE NO.		
Fabric	1294548	
Imitation leather	1047730	
STANDARD FEATURES		
1 Armrests, adjustable angle, 80 mm x 320 mm	●	
Shock absorber, non-adjustable	●	
Mechanical suspension	●	
Suspension stroke, 100 mm	●	
2 Weight adjustment, 50 - 130 kg, mechanical	●	
3 Height adjustment, 60 mm, 3-step (mechanical)	●	
4 Headrest	●	
5 Fore/aft adjustment, 210 mm		●
6 Lumbar support, mechanical		●
7 Adjustable backrest angle		●
Seat cushion width		490 mm
8 Adjustable seat cushion depth and angle		●
9 Control carrier consoles		●
OPTIONAL FEATURES		
Document box		○
Restraint system		○
Seat heating		○
Operator presence switch (OPS)		○

Measurements (installation dimensions)



All dimensions in mm.
Subject to technical changes.